

## DESCRIPTION

The WT-5810 is a PLL-synthesizer controlled double superheterodyne diversity tuner designed to be used with a UHF wireless system. It employs a compander noise reduction circuit to minimize the influence of ambient RF noise.

## SPECIFICATIONS

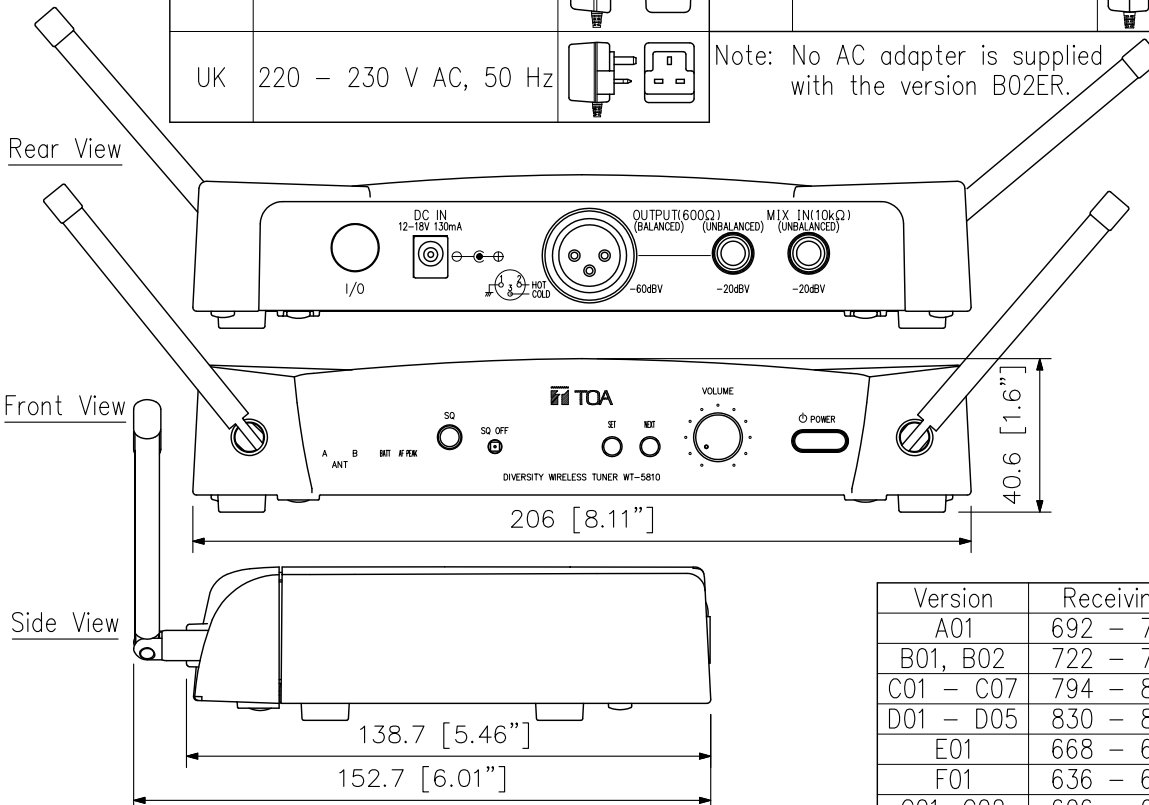
(\*1) 0 dB = 1 V

Power Source	AC mains (supplied AC adapter must be used)
Power Consumption	130 mA (12 V DC)
Receiving Frequency	576 - 865 MHz (*2), UHF
Channel Selectable	16 channels
Receiving System	Double super-heterodyne
Diversity System	Space diversity
Mixing Output	MIC: -60 dB (*1), 600 Ω, balanced, XLR-3-32 type connector LINE: -20 dB (*1), 600 Ω, unbalanced, phone jack
Mixing Input	-20 dB (*1), 10 kΩ, unbalanced, phone jack
Antenna	Whip antenna
Receiving Sensitivity	90 dB or more, Signal to Noise ratio (20 dBμV input, 40 kHz deviation)
Squelch Sensitivity	16 - 40 dBμV variable
Squelch System	Using together of noise SQ, carrier SQ and tone SQ
Tone Frequency	32.768 kHz
Indicator	ANT A/B, Audio (peak), Battery alarm, Channel number
Channel Check	Usable frequencies scanning
Signal to Noise Ratio	104 dB or more (A-weight, unbalanced output)
Harmonic Distortion	1 % or less (typical)
Frequency Response	100 Hz - 15 kHz, ±3 dB
Operating Temperature	-10 °C to +50 °C (14 °F to 122 °F)
Operating Humidity	30 % to 85 %RH (no condensation)
Finish	Resin, black
Dimensions	206 (W) × 40.6 (H) × 152.7 (D) mm (8.11" × 1.6" × 6.01") (excluding antenna)
Weight	590 g (1.3 lb)
Accessory	AC adapter (*3)×1

## APPEARANCE

(\*3)

Version	AC Adapter	Version	AC Adapter
US	120 V AC, 60 Hz	ER	230 V AC, 50 Hz
CN	220 V AC, 50 Hz	AS	240 V AC, 50 Hz
UK	220 - 230 V AC, 50 Hz	Note: No AC adapter is supplied with the version B02ER.	



(\*2)

Version	Receiving Frequency
A01	692 - 722 MHz, UHF
B01, B02	722 - 752 MHz, UHF
C01 - C07	794 - 830 MHz, UHF
D01 - D05	830 - 865 MHz, UHF
E01	668 - 698 MHz, UHF
F01	636 - 666 MHz, UHF
G01, G02	606 - 636 MHz, UHF
H01	576 - 606 MHz, UHF

UNIT: mm SCALE: 1/2